

- Band17, RF-Rx SAW Filter
- Revision 0: January 2014

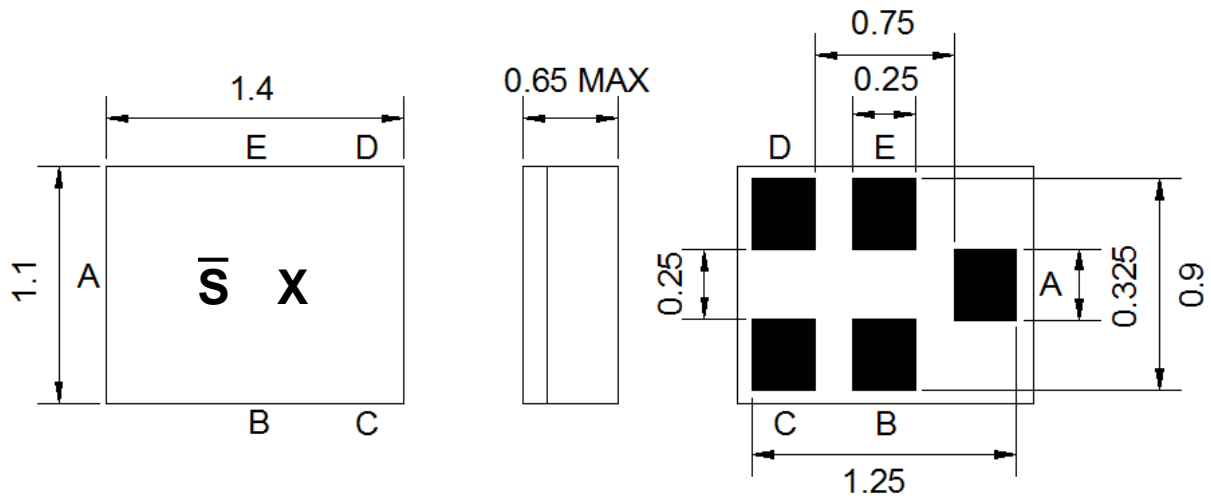
Electrical Characteristics

MAXIMUM RATING				
PARAMETERS DESCRIPTION	UNIT	MINIMUM	TYPICAL	MAXIMUM
Operating Temperature Range	°C	-30	-	+85
Storage Temperature Range	°C	-40	-	+85
Maximum DC Voltage	V	-	-	0
Maximum Input Power	dBm	-	-	10
Source Impedance (unbalanced) ⁽¹⁾	Ω	-	50	-
Load Impedance (unbalanced) ⁽¹⁾	Ω	-	50	-
Package type & size	C21			
Length x Width	mm ²	-	1.4 x 1.1	-
Height	mm	-	-	0.65

ELECTRICAL SPECIFICATION				
PARAMETERS DESCRIPTION	UNIT	MINIMUM	TYPICAL	MAXIMUM
Center Frequency (Fo)	MHz	-	740.0	-
Insertion Loss within 734.0 ~ 746.0 MHz	dB	-	1.8	2.8
Amplitude Ripple within 734.0 ~ 746.0 MHz	dB _{p-p}	-	0.8	1.0
Attenuation:				
725.0 MHz	dB	20	48	-
704.0~ 716.0 MHz	dB	40	44	-
VSWR within 734.0 ~ 746.0 MHz	-	-	1.4	2.0

Notes: (1) No Matching Network (Ref. Testing Environment Circuit as shown below).

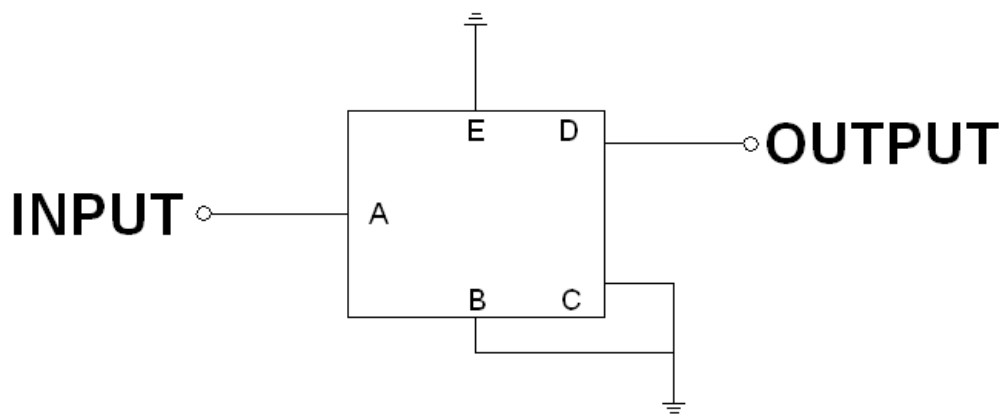
Package Dimensions



Marking Descriptions	
Y	Series Number
X	Date Code (Year+Month)

Pin Description	
B, C, E	Ground
A	Input
D	Output

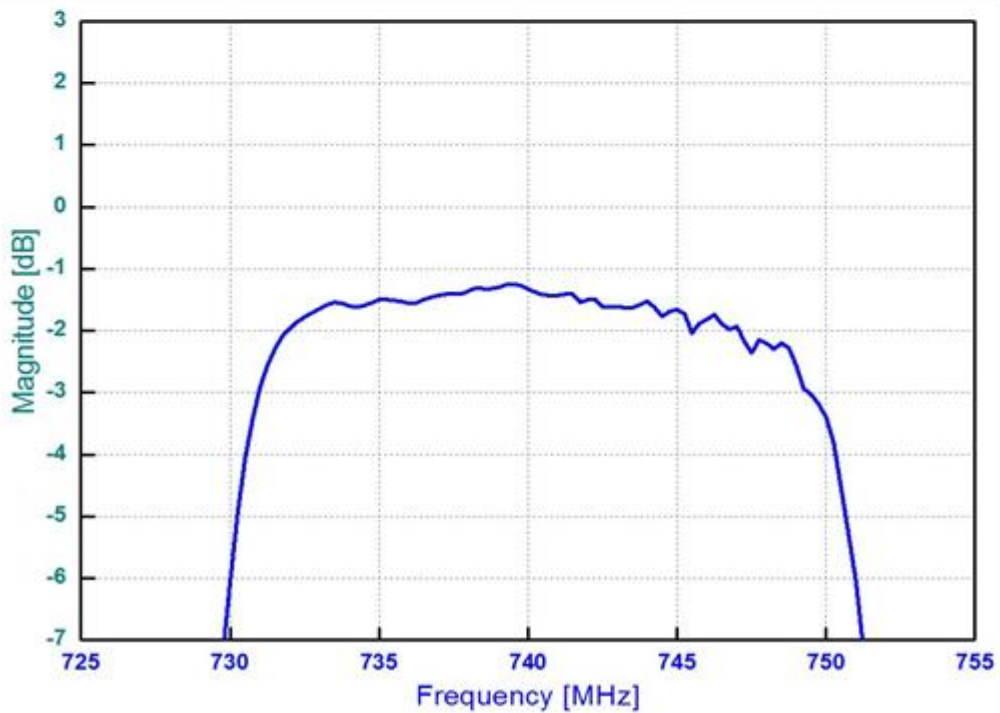
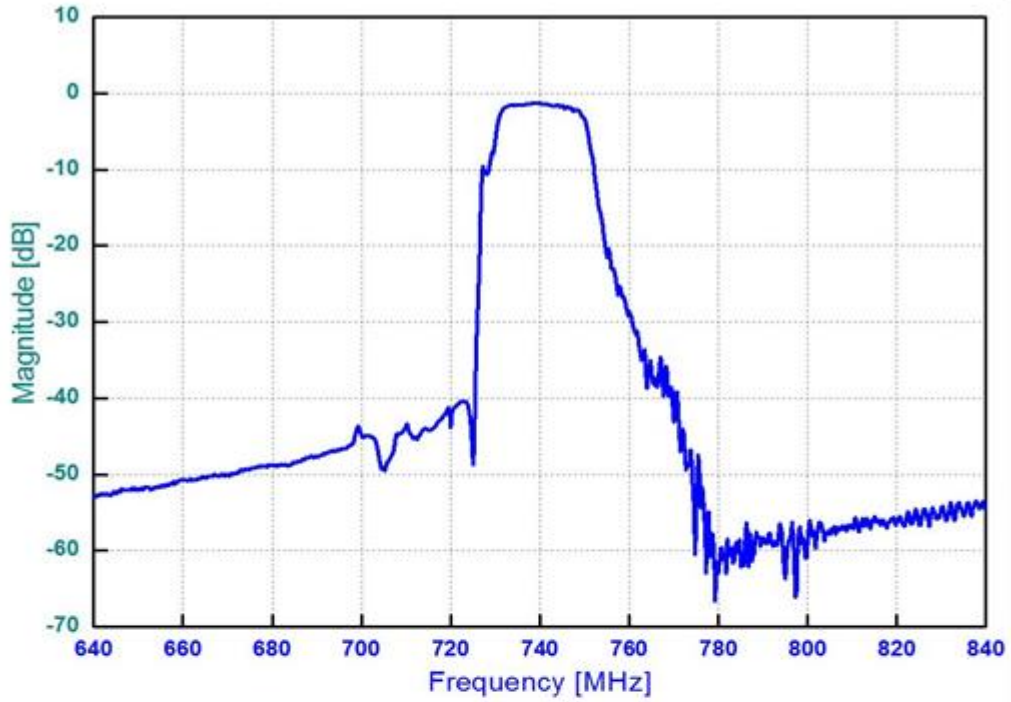
Testing Environment



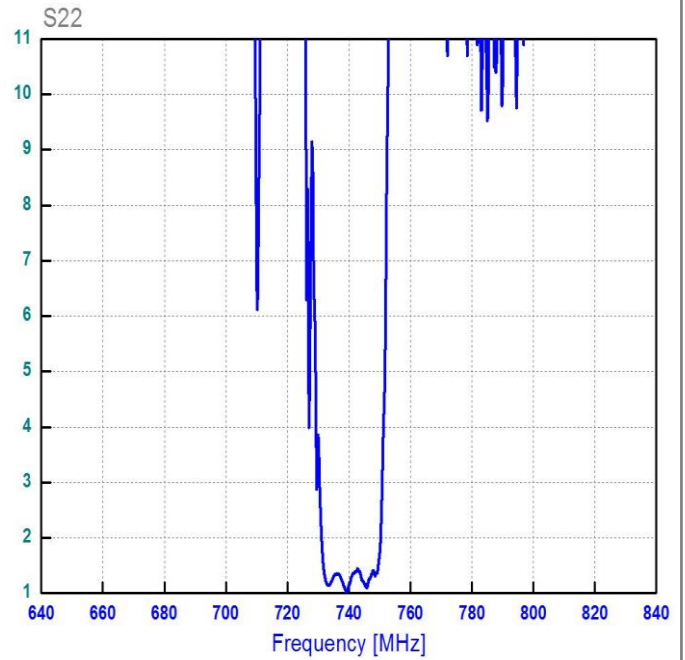
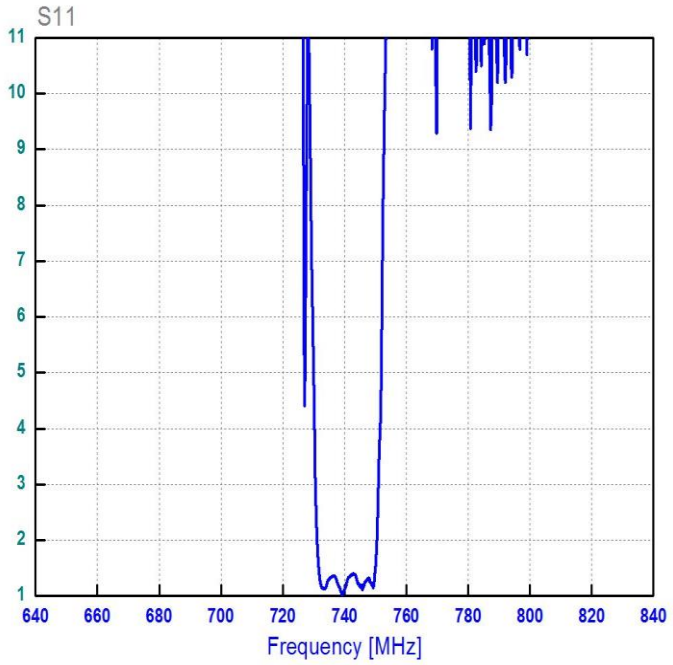
Source & Load Impedance: 50 Ω

Frequency Characteristics

Frequency Response



VSWR



Smith Chart

